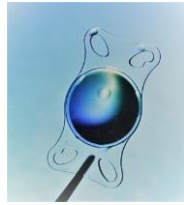


Your experienced partner in
veterinary cataract surgery

an-vision



an-lens MD8



an-lens MD4



alexos3



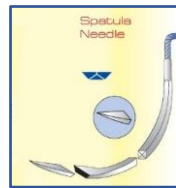
an-lens MD6



an-lens MD2



an-lens MH9



Sutures



an-CTR



an-blue



an-HyPro



Instruments



Viscoelastics

an-Instructions

MD8 IOL Loading Instructions



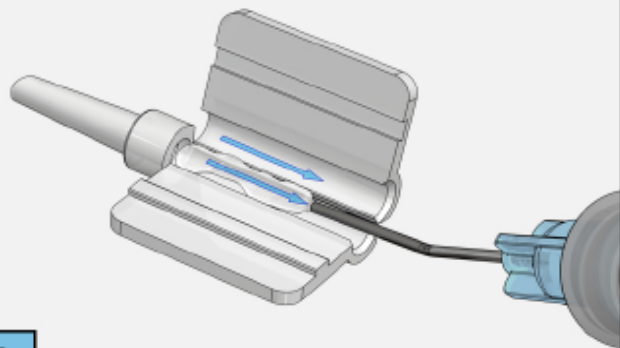
See all our **an-vision** products at:
www.an-vision.com or contact us!

Specifically Designed for Veterinary Use

an-vision GmbH
Hennigsdorf, Germany
T: +49 (0)3302-209 5550
info@an-vision.eu

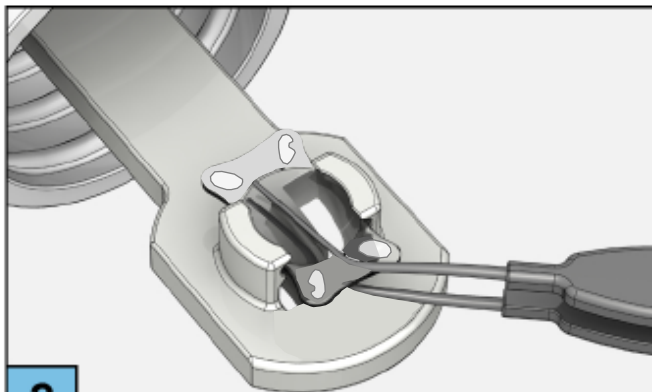
an-vision

an-vision Inc.
Salt Lake City, UT, USA
T: 801-561-5040
info@an-vision.com



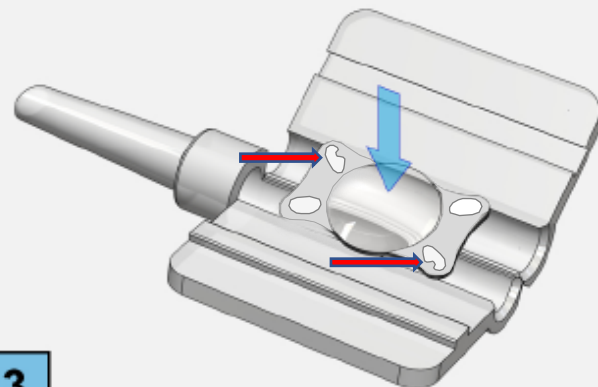
1

Apply two lines of viscoelastic, preferably an-bfh 1.8 % or 2.2% or an-visco along the channel of the cartridge. Do not touch the tip of the cartridge.



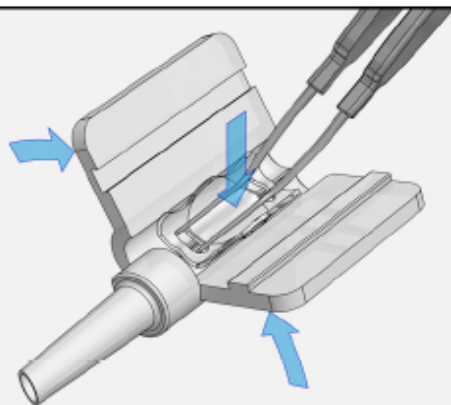
2

Gently remove the lens from the lens holder using forceps with fine rounded tips. Do not let the lens dry up. Do not use the fluid from the bottle for ocular irrigation.



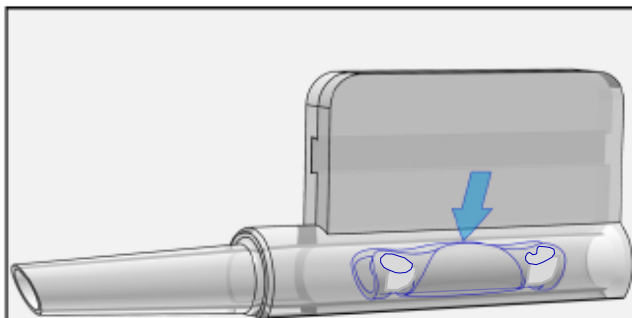
3

Place the lens in the center of the open cartridge. **Note the alignment of the marked haptics** as shown in the image above.



4

Hold optic down and center the IOL on the loading deck of the cartridge. Close the cartridge, ensuring not to clamp the lens within the wings.



5

Check the position of the lens within the channel of the closed cartridge. Haptic must not reach up into the closed wings. Inject additional viscoelastic into the rear of the cartridge as well as into the tip.



6

Injector with loaded cartridge

