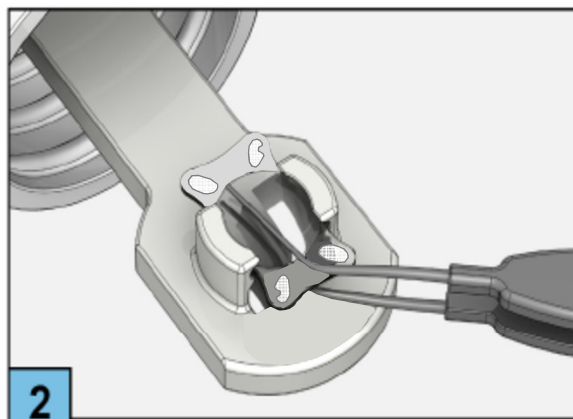


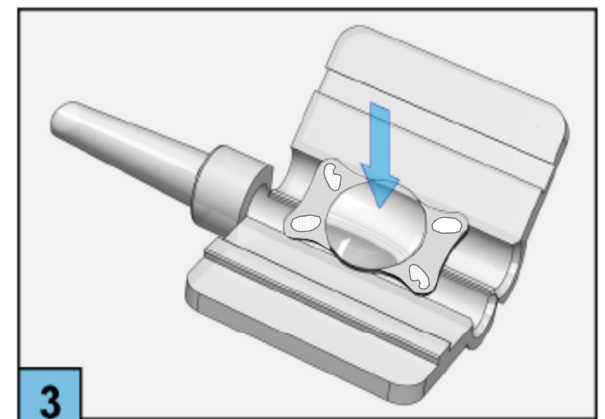
1

Fill the barrel halfway with viscoelastic substance, preferably an-bfh1.8 % or 2.2% or an-visco. Put two lines of viscoelastics to the plane of the cartridge. Do not touch the tip of the cartridge.



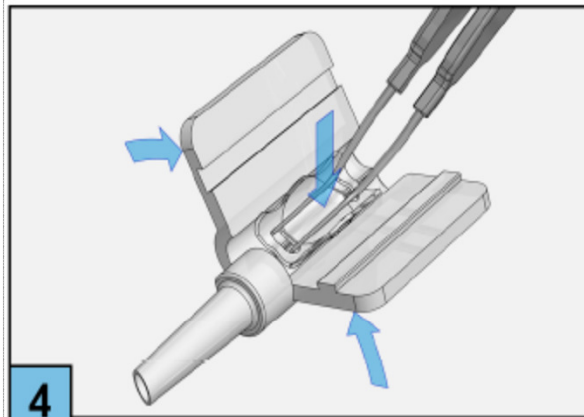
2

Pull the lens gently from the lens holder using a forceps with fine rounded tips. Do not let the lens dry up. Do not use the fluid from the bottle for ocular irrigation.



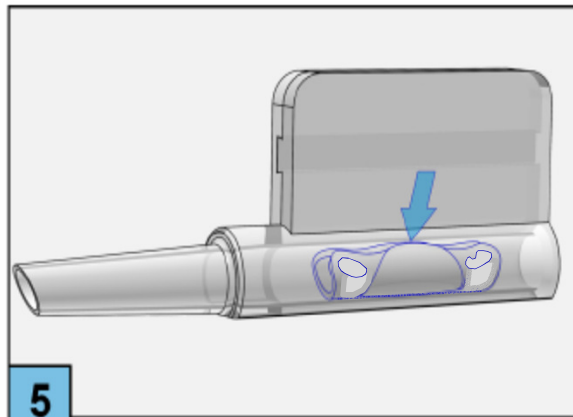
3

Place the lens in the center of the open cartridge. Marked haptic point to the upper right / lower left with respect to injection direction.



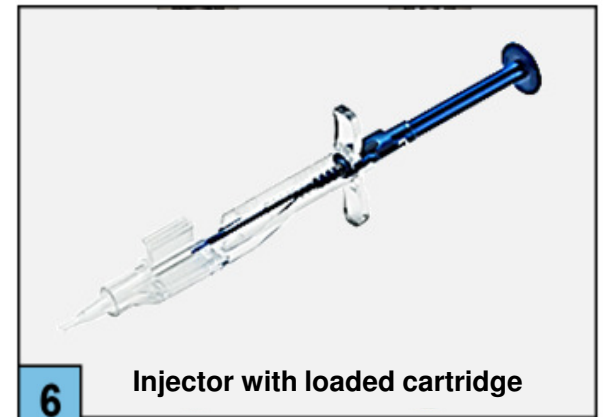
4

Hold optic down, center the IOL on the loading deck of the cartridge. Close the cartridge without clamping the lens.



5

Control the position of the lens within the channel of the closed cartridge. Haptic must be free movable. Inject some visco into the rear of the cartridge and some into the tip.



6

Injector with loaded cartridge

an-vision GmbH
 Neuendorfstr. 22a
 16761 Hennigsdorf
 phone: +49 (0)3302 209 5550
 fax: +49 (0)3302 209 5559
 www.an-vision.com



info@an-vision.com